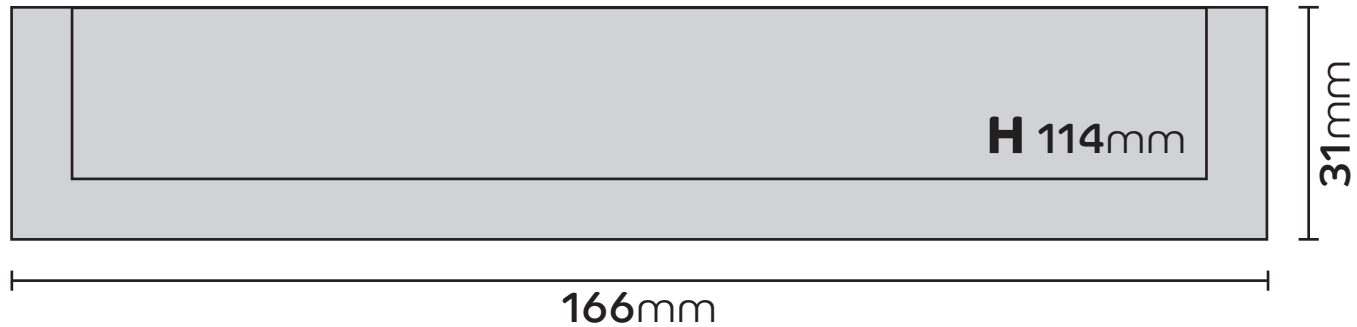
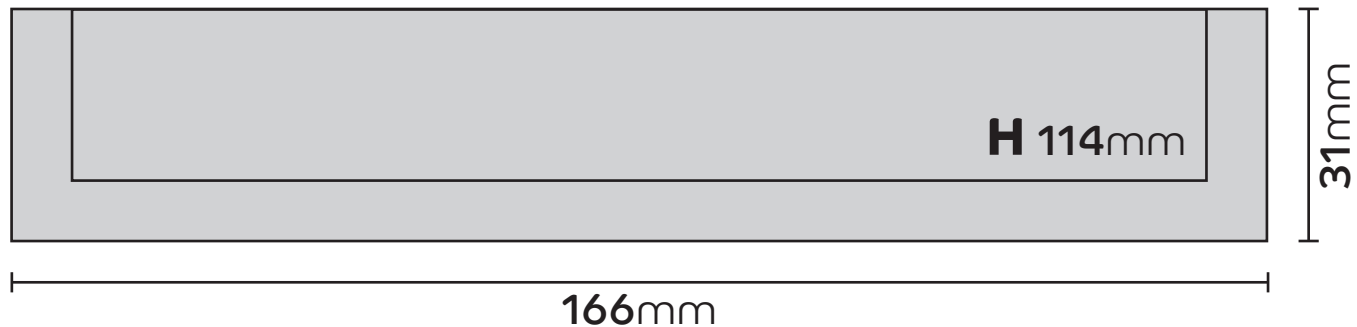


Block A

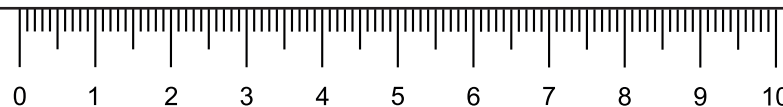


Block B



Print at 100% Scale

Ruler should measure 10cm



Our full range of kits and printable footprints can be found at www.atdmodels.co.uk

© copyright ATD Models 2023, all rights reserved.