

GAUGEMASTER



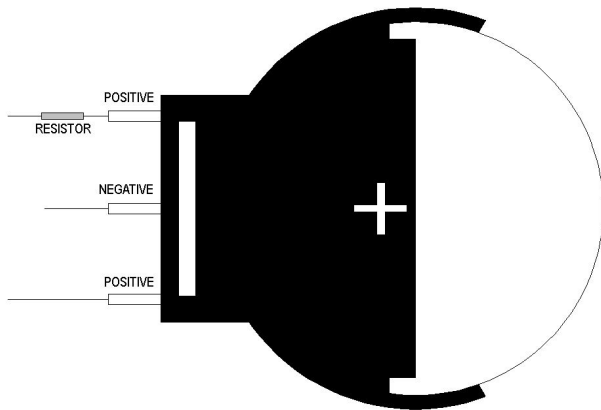
GM385/6/7 VEHICLE LIGHTING KIT

Your new vehicle lighting kit gives you the opportunity to enhance any model, so before you start please check all the contents are correct for your requirements.

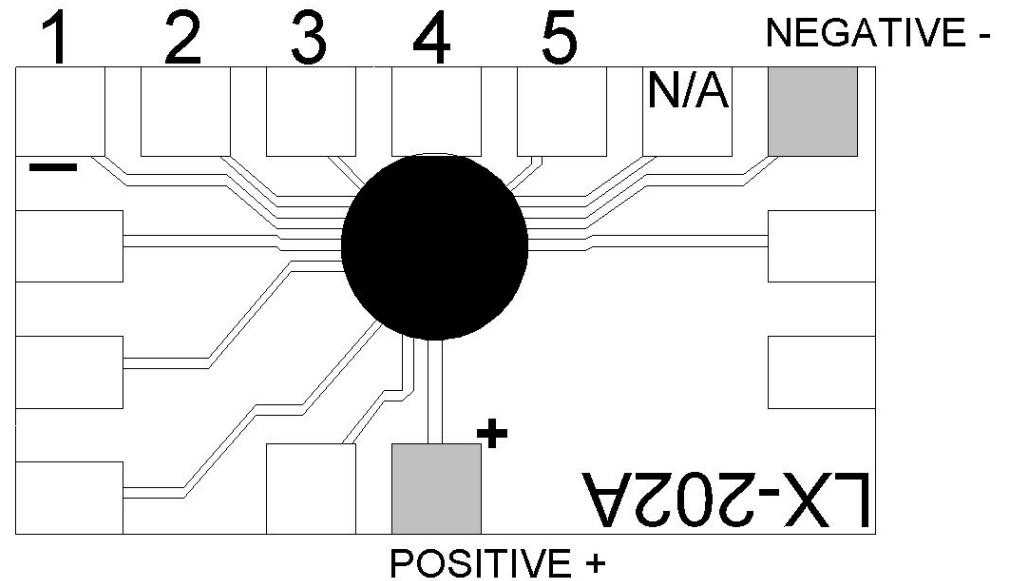
Check List:

1 x Flasher Unit	1 x Resistor	1 x 1.2mm Drill Bit
2 x Red Led's 1.8v	1 x Battery Box	2 x Blue Led's 1.8v (GM386 Only)
2 x White Led's 3v	1 x 3v Battery – CR2032	2 x Orange Led's 1.8v (GM387 Only)

Let's start with the basics, the battery must be inserted into the battery box with positive of the battery towards the positive on the box (look for the large + mark on the box). The box itself has 3 terminals, the outer pair are positive + and the centre one negative – you can use the two positive terminals as a direct supply for the flasher unit and as connection to solder the resistor. Now about the Led's, remember the Black wire is positive and White is negative and any power going to any 1.8v Led *must* be via the resistor on one or other wire. So for a simple set of front and rear light you only need to attach the resistor to the battery box positive and the Led White wires to the battery box negative, the remaining 1.8v Black wires will now go to the free end of the resistor or 3v Black wires direct to the supply and any excess trimmed. All Led's *must* be via the resistor if a higher input voltage is connected.



A 1.2mm drill has been included to make holes to emit light and make passages to feed wires, with so many possibilities we can't possible say where or how to install all the parts but as modellers we are confident if it can be done someone will do it.



Last but not least we have the amazing flasher unit that is used to create the effects. As you can see from the diagram there is a positive and negative terminal, these need to attach to the battery box with some suitable wire. The circuit can only be turned on and off by removing the battery but a switch can be used if required in the positive supply wire. Terminals 1-5 are for the Led (white) negative wires, using a single Led on any of these terminals will give a pulse effect or using a pair of Led's on terminals 2 and 4 will result in a toggle effect. If you connect one Led on each of the five terminals a strobe effect can be achieved, extra GM Micro Led's can be purchased to suit your needs.

WARNING

This is a disposable battery - none rechargeable

Never attempt to recharge, swallow or short circuit the battery, once depleted dispose in the correct manner. Only use on product designed for this type of cell and always read any labels or instruction that accompany the product.

GUARANTEE: We undertake to replace or repair, at our discretion, free of charge, any unit found defective by manufacture providing the item has not been tampered with. This guarantee covers only the supply of replacement, replacement parts, labour cost for fitting of same and the cost of returning the unit to the customer or retailer. This Guarantee does not affect your Statutory Rights. We reserve the right to vary design or specification without notice.

Gaugemaster Controls Ltd,
 Gaugemaster House, Ford Road, Arundel, West Sussex BN18 0BN
 Tel. No: 01903 884321 Fax. No: 01903 884377
 Email: gaugemaster@gaugemaster.co.uk Web: www.gaugemaster.com
 Registered in England. Reg. No: 2714470

