



# 'O' GWR AEC Diesel Railcar

## SERVICING AND DCC INFORMATION

Please Note: This model has been designed for DCC installation without the need to remove the body. Please see below.

### Removing the Body

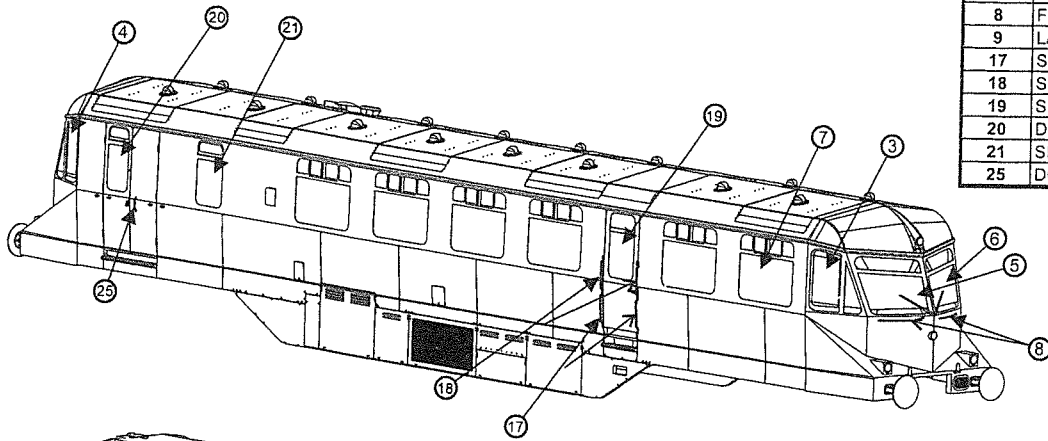
#### Step 1

Loosen four screws under the body (2x at the inner end of each bogie). See diagram - and set them aside in a safe place.

#### Step 2

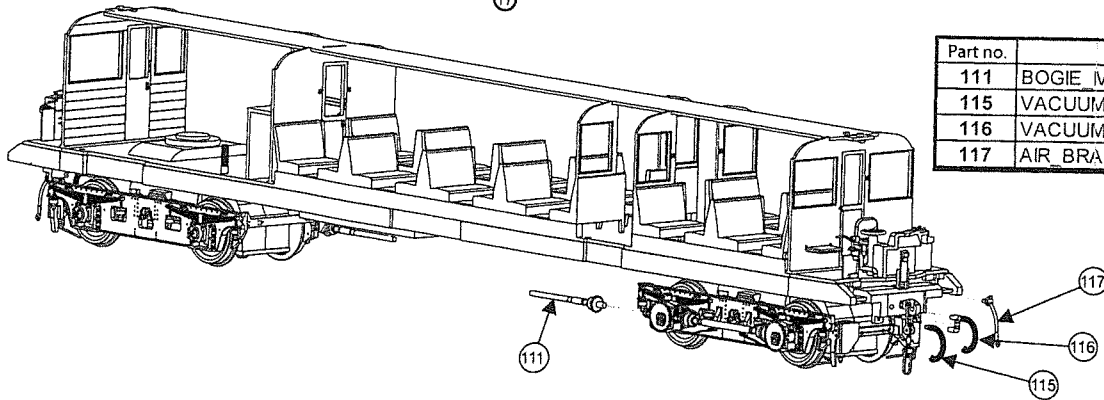
Gently unclip the body from the chassis (4x clips – two on each side), taking care not to compress or damage external details such as handrails or roof vents.

GWR O Scale V2



Part No.	Part Name	Quantity
3	CAB_SIDE_WINDOW_OO	2
4	CAB_SIDE_WINDOW_R_OO	2
5	FRONT_WINDOW_OO	2
6	FRONT_WINDOW_R_OO	2
7	LARGE_SIDE_WINDOWS_OO	12
8	FRONT_HANDRAIL_OO	4
9	LAMP_BRACKET_OO	4
17	SINGLE_DOOR_HANDRAILS_LOWER_OO	4
18	SINGLE_DOOR_HANDRAIL_UPPER_OO	4
19	SINGLE_DOOR_WINDOW_OO	2
20	DOB_DOOR_WINDOW_OO	2
21	SINGLE_WINDOW_OO	2
25	DOB_DOOR_HANDRAIL_OO	2

KEY PARTS



Part no.	Part Name	Quantity
111	BOGIE_MAINDRIVE_AXLE_LONG	2
115	VACUUM_PIPE_1	2
116	VACUUM_PIPE_2	2
117	AIR_BRAKE_PIPE_LEFT	2

### Conversion to Digital Command Control (DCC) operation

Our HELJAN O gauge GWR Diesel Railcar is designed for simple DCC conversion. Please test the model in DC mode first to ensure it is running correctly and the lights are working. The 21-pin DCC interface is positioned under the body – to gain access to it, simply loosen two screws and remove the cover, revealing the interface beneath (see diagram).

Gently prise out the blanking plug, taking care not to bend any of the vertical pins. For 'plug-and-play' operation, we recommend an ESU LokPilot/LokSound V5 21-pin decoder. Other compatible decoders should allow normal motor functions but may require reconfiguring to achieve correct light functions. Once you are satisfied that the decoder is installed correctly, test again to make sure railcar runs as required and all functions work in DCC mode.

### CC Sound

This model has been designed with ample space inside the luggage van area or under the body to install a speaker of your choice. Optimum location will depend on the dimensions of your chosen speaker, but locating pins for a 66mm x 29mm speaker have been provided on the underside of the chassis.